

RECORD THIS UNIT INFORMATION FOR
FUTURE REFERENCE:
Model Number _____
Serial Number _____
Date Purchased _____



SLIDE TOPPER[™]

USA
SERVICE OFFICE
Dometic Corporation
2320 Industrial Parkway
Elkhart, IN 46516
574-294-2511

CANADA
Dometic Corporation
46 Zatonski, Unit 3
Brantford, ON N3T 5L8
CANADA
519-720-9578

**For Service Center
Assistance Call:**
800-544-4881

WARNING

This manual must be read and understood before installation, adjustment, service, or maintenance is performed. This unit must be installed by a qualified service technician. Modification of this product can be extremely hazardous and could result in personal injury or property damage.

AVERTISSEMENT

Lire et comprendre ce manuel avant de procéder à l'installation, à des réglages, de l'entretien ou des réparations. L'installation de cet appareil doit être effectuée par un réparateur qualifié. Toute modification de cet appareil peut être extrêmement dangereuse et entraîner des blessures ou dommages matériels.

INSTALLATION & OPERATING INSTRUCTIONS

MODELS

| | |
|--------------|--------------|
| 85090 DELUXE | 85103 DELUXE |
| 85093 DELUXE | 86096 ELITE |
| 85094 DELUXE | 86097 DELUXE |
| 85096 ELITE | 86098 ELITE |
| 85097 DELUXE | 86099 DELUXE |
| 85098 ELITE | 86100 ELITE |
| 85099 DELUXE | 86101 DELUXE |
| 85100 ELITE | 86102 ELITE |
| 85101 DELUXE | 86103 DELUXE |
| 85102 ELITE | 86111 DELUXE |

87096 ELITE
87097 DELUXE

REVISION:
Form No. 3109384.101 1/06
(Replaces 3109384.093)
(French 3109626.097)
©2006 Dometic Corporation
LaGrange, IN 46761

**Important: These instructions must stay with unit.
Owner read carefully.**

SAFETY INSTRUCTIONS

This manual has safety information and instructions to help users eliminate or reduce the risk of accidents and injuries.

RECOGNIZE SAFETY INFORMATION



This is the safety-alert symbol. When you see this symbol in this manual, be alert to the potential for personal injury.

Follow recommended precautions and safe operating instructions.

UNDERSTAND SIGNAL WORDS

A signal word, **WARNING** OR **CAUTION** is used with the safety-alert symbol. They give the level of risk for potential injury.

WARNING indicates a potentially hazardous situation which, if not avoided, could result in death or serious injury.

CAUTION indicates a potentially hazardous situation which, if not avoided, may result in minor or moderate injury.

CAUTION used without the safety alert symbol indicates, a potentially hazardous situation which, if not avoided, may result in property damage.

Read and follow all safety information and instructions.

A. GENERAL INSTRUCTIONS

WARNING

These instructions must be read and understood before installation of this product. This product must be installed by a Dometic Service Center or a qualified service technician. Modification of this product can be extremely hazardous and could result in personal injury or property damage.

The A&E Slide Topper is designed to protect the top of an RV's slide out room from weather and debris. It is not waterproof, some drips, condensation, or wind blown precipitation can be present under the canopy.

Product features and specifications as described or illustrated are subject to change without notice. Installation methods not described in this manual must have written approval from Dometic Corporation.

Important: The slide topper cradle kits 3309526.XXX(X) must be installed with all slide topper awnings over lengths of 198". Installations of slide toppers over 198" without the cradle kit 3309526.XXX(X) are not covered by Dometic Warranty.

Note: Replace (X) with color code:

B = Polar White
H = Mende White
R = Champagne
S = Satin
U = Black
V = Gold

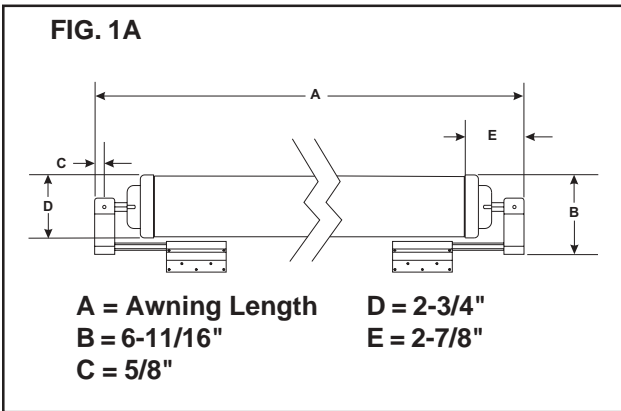
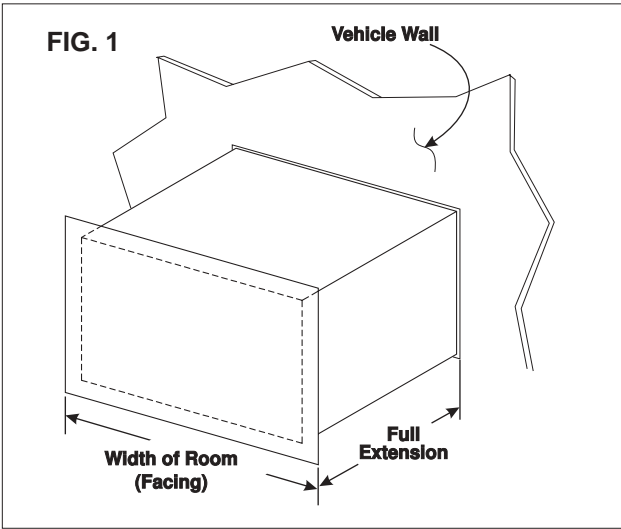
B. APPLICATION GUIDE

Models: 8XXXXXX.XXX (Elite) & (Deluxe)

1. DETERMINE SLIDE TOPPER LENGTH:

To determine the size of Slide Topper you require, measure your room according to the FIG. 1 and FIG. 1A, then use the chart.

The Slide Topper will **NOT** work on rooms with a full extension greater than 44 inches.



2. DETERMINE BRACKETS REQUIRED FOR THE SLIDE OUT:

- 3106992.(X)21(X) Bracket Kit**
- 3106992.(X)39(X) Bracket Kit**
- 3106992.(X)47(X) Bracket Kit**
- 3106992.(X)70(X) Bracket Kit**
- 3106992.(X)88(X) Bracket Kit**
- 3106992.(X)96(X) Bracket Kit**

Hex Bar Extension Length: _____
 0 = Standard 15-3/8"
 1 = 18-5/8" ** See Note

Color Code: _____
 B = Polar White
 H = Mende White
 R = Champagne
 S = Satin
 U = Black
 V = Gold

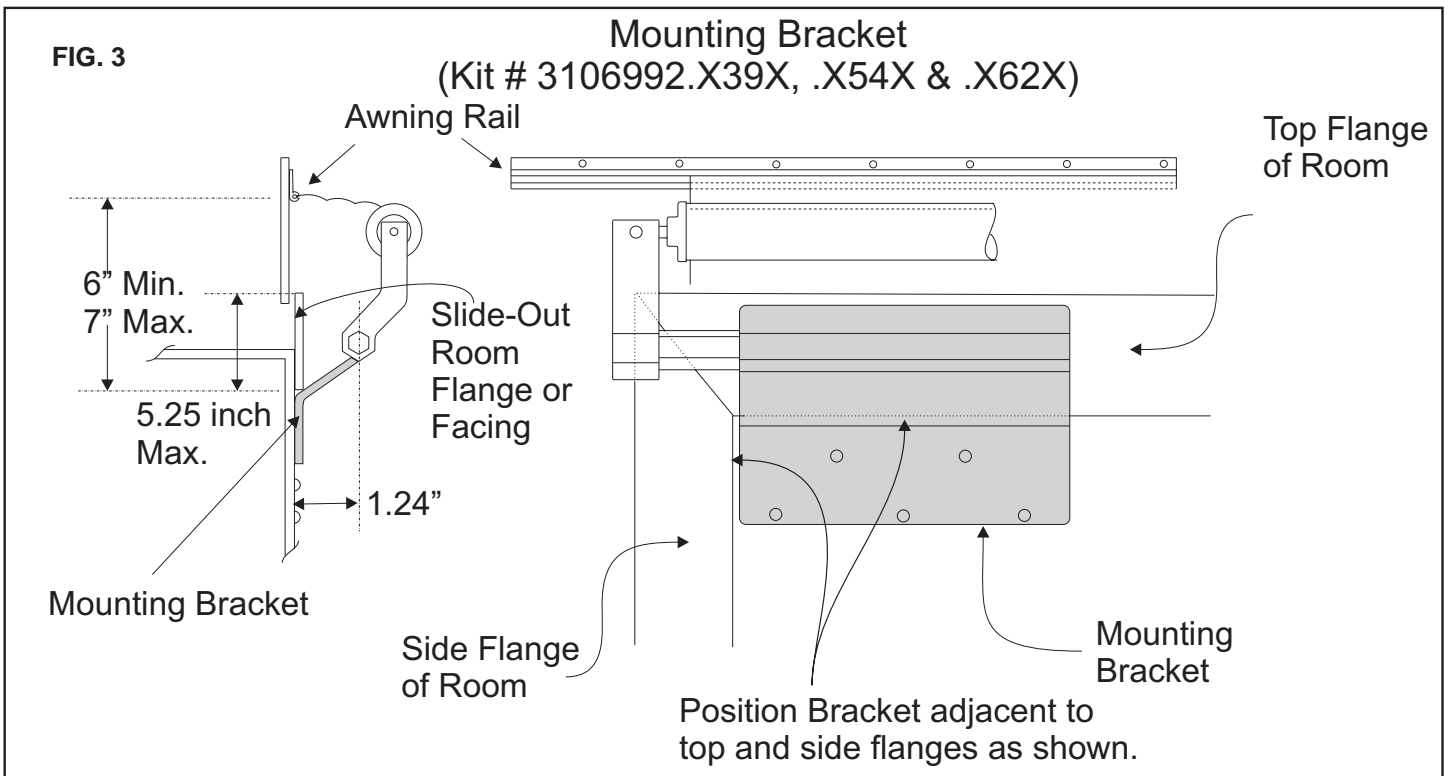
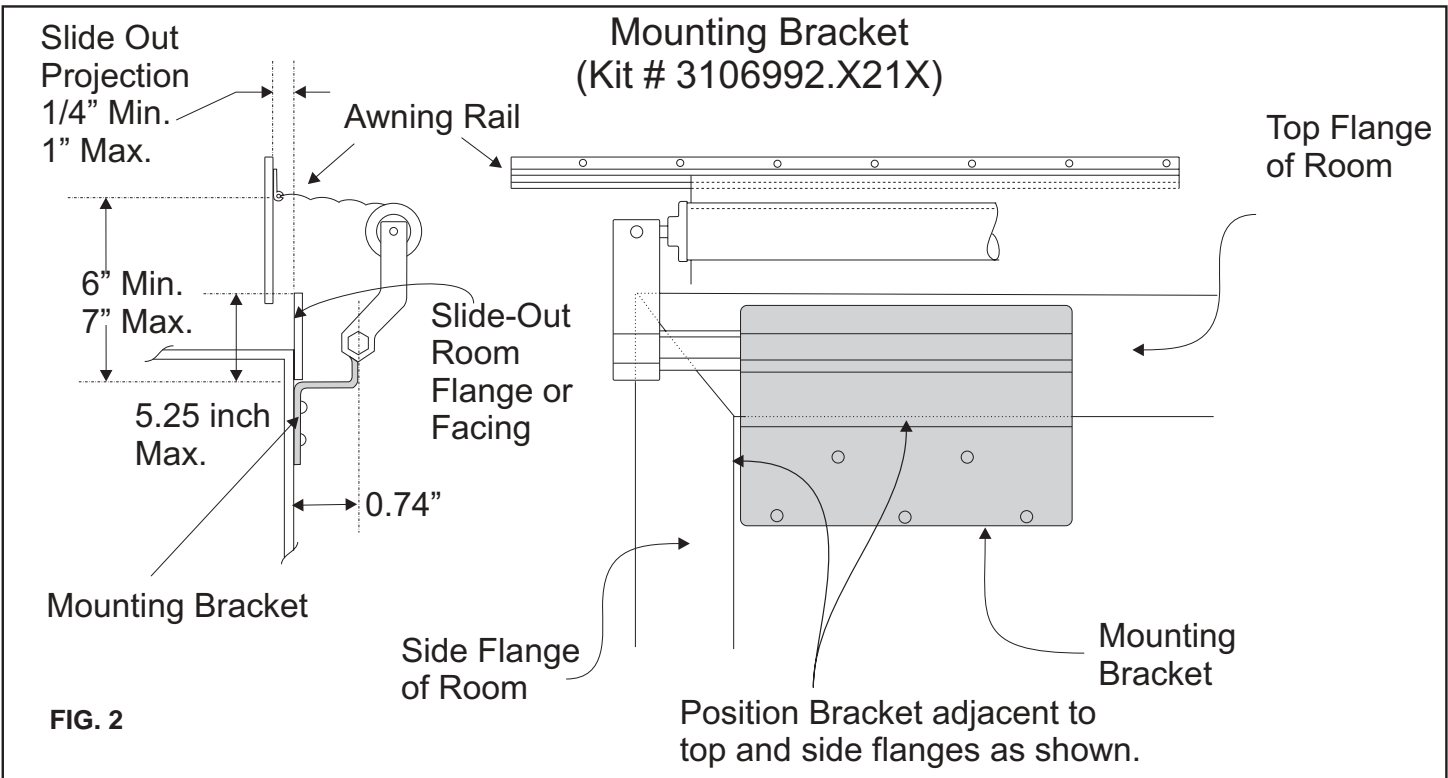
**** Note :** Use **ONLY** with 85XXXXX.060, 86XXXXX.060 and 87XXXXX.060 Models.

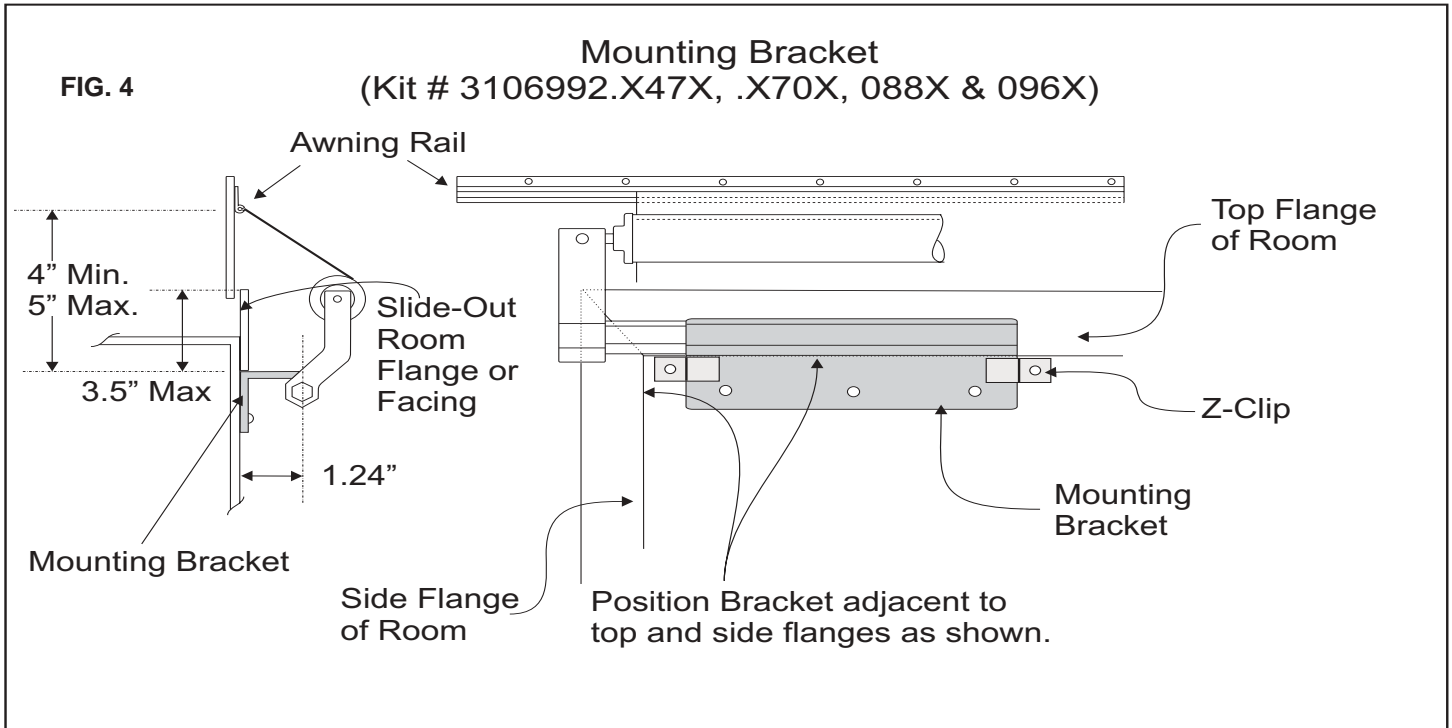
Size Chart

| Awning Model Suffix | Total Awning Length (Dim. A) | Slide-Out Width Min. - Max. | | Awning Length Req. |
|---------------------|------------------------------|-----------------------------|----------|--------------------|
| 8XXXXX.060 | 69-1/4" | 50" | 55-3/4" | **See Note |
| 8XXXXX.066 | 69-1/4" | 56" | 61-3/4" | 66" |
| 8XXXXX.016 | 74-1/2" | 61-3/4" | 66-1/2" | 71-1/4" |
| 8XXXXX.072 | 75-1/4" | 62" | 67-3/4" | 72" |
| 8XXXXX.011 | 79-1/2" | 66-3/4" | 72-1/2" | 76-1/4" |
| 8XXXXX.078 | 81-1/4" | 68" | 73-3/4" | 78" |
| 8XXXXX.017 | 84-1/4" | 71" | 76-3/4" | 81" |
| 8XXXXX.009 | 84-3/4" | 71-3/4" | 77-1/2" | 81-1/2" |
| 8XXXXX.084 | 87-1/4" | 74" | 79-3/4" | 84" |
| 8XXXXX.006 | 89-3/4" | 76" | 81-3/4" | 86-1/2" |
| 8XXXXX.090 | 93-1/4" | 80" | 85-3/4" | 90" |
| 8XXXXX.001 | 93-3/4" | 80-1/2" | 86-3/4" | 90-1/2" |
| 8XXXXX.092 | 95-1/4" | 82" | 87-3/4" | 91-1/2" |
| 8XXXXX.002 | 98-1/4" | 81-3/4" | 86-1/2" | 95" |
| 8XXXXX.096 | 99-1/4" | 86" | 91-3/4" | 96" |
| 8XXXXX.102 | 105-1/4" | 92" | 97-3/4" | 102" |
| 8XXXXX.019 | 106" | 93-1/4" | 99" | 102-3/4" |
| 8XXXXX.012 | 110-3/4" | 97-1/2" | 100-1/4" | 107-1/2" |
| 8XXXXX.108 | 111-1/4" | 98" | 103-3/4" | 108" |
| 8XXXXX.014 | 115-3/4" | 102" | 107-3/4" | 112-1/2" |
| 8XXXXX.114 | 117-1/4" | 106-1/2" | 109-3/4" | 114" |
| 8XXXXX.010 | 119-3/4" | 108-1/2" | 112-1/4" | 116-1/2" |
| 8XXXXX.020 | 122" | 110-3/4" | 116-1/2" | 118-3/4" |
| 8XXXXX.120 | 123-1/4" | 112" | 115-3/4" | 120" |
| 8XXXXX.007 | 127-3/4" | 116-1/2" | 122-1/4" | 124-1/2" |
| 8XXXXX.126 | 129-1/4" | 118" | 123-3/4" | 126" |
| 8XXXXX.132 | 135-1/4" | 124" | 129-3/4" | 132" |
| 8XXXXX.138 | 141-1/4" | 130" | 135-3/4" | 138" |
| 8XXXXX.005 | 142-1/4" | 131" | 136-3/4" | 139" |
| 8XXXXX.144 | 147-1/4" | 136" | 141-3/4" | 144" |
| 8XXXXX.021 | 150-1/4" | 140" | 145-3/4" | 147" |
| 8XXXXX.148 | 151-1/4" | 141" | 148-3/4" | 148" |
| 8XXXXX.150 | 152-3/4" | 141-1/2" | 147-1/4" | 150" |
| 8XXXXX.022 | 154" | 142-3/4" | 148-1/2" | 151-1/4" |
| 8XXXXX.152 | 154-3/4" | 143-1/2" | 149-1/4" | 152" |
| 8XXXXX.156 | 158-3/4" | 147-1/2" | 153-1/4" | 156" |
| 8XXXXX.013 | 159" | 147-3/4" | 153-3/4" | 156-1/4" |
| 8XXXXX.023 | 162-3/4" | 151-1/2" | 157-1/4" | 160" |
| 8XXXXX.162 | 164-3/4" | 153-1/2" | 159-3/4" | 162" |
| 8XXXXX.015 | 165-1/2" | 154-1/4" | 160" | 162-3/4" |
| 8XXXXX.003 | 168" | 156-3/4" | 162-1/2" | 165-1/4" |
| 8XXXXX.024 | 168-1/2" | 157-1/2" | 162-3/4" | 165-3/4" |
| 8XXXXX.166 | 168-3/4" | 157-3/4" | 163" | 166" |
| 8XXXXX.171 | 173-3/4" | 162-1/2" | 168-1/4" | 171" |
| 8XXXXX.025 | 174-1/2" | 163-1/4" | 169" | 171-3/4" |
| 8XXXXX.174 | 176-3/4" | 165-1/2" | 171-1/4" | 174" |
| 8XXXXX.177 | 179-3/4" | 168-1/2" | 174-1/4" | 177" |
| 8XXXXX.180 | 182-3/4" | 171-1/2" | 176-1/4" | 180" |
| 8XXXXX.026 | 184" | 172-3/4" | 178-1/2" | 181-1/4" |
| 8XXXXX.186 | 188-3/4" | 177-1/4" | 183" | 186" |
| 8XXXXX.192 | 194-3/4" | 183-1/4" | 189" | 192" |
| 8XXXXX.198 | 200-3/4" | 189-1/4" | 195" | 198" |
| 8XXXXX.204 | 206-3/4" | 195-1/4" | 201" | 204" |
| 8XXXXX.210 | 212-3/4" | 201-1/4" | 207" | 210" |
| 8XXXXX.216 | 218-3/4" | 207-1/4" | 213" | 216" |
| 8XXXXX.222 | 224-3/4" | 213-1/4" | 219" | 222" |
| 8XXXXX.228 | 230-3/4" | 219-1/4" | 225" | 228" |
| 8XXXXX.234 | 236-3/4" | 225-1/4" | 231" | 234" |
| 8XXXXX.240 | 242-3/4" | 231-1/4" | 237" | 240" |
| 8XXXXX.246 | 248-3/4" | 237-1/4" | 243" | 246" |
| 8XXXXX.252 | 254-3/4" | 243-1/4" | 249" | 252" |
| 8XXXXX.258 | 260-3/4" | 249-1/4" | 255" | 258" |
| 8XXXXX.264 | 266-3/4" | 255-1/4" | 261" | 264" |
| 8XXXXX.270 | 272-3/4" | 261-1/4" | 267" | 270" |
| 8XXXXX.276 | 278-3/4" | 267-1/4" | 274" | 276" |
| 8XXXXX.284 | 286-3/4" | 274-1/4" | 280" | 284" |
| 8XXXXX.290 | 292-3/4" | 280-1/4" | 286" | 290" |
| 8XXXXX.296 | 298-3/4" | 286-1/4" | 292" | 296" |
| 8XXXXX.300 | 302-3/4" | 292-1/4" | 298" | 300" |

Note: The greater the distance between the awning rail and the mounting bracket, the better water and debris will run off, however, DO NOT exceed maximum distances shown or excess fabric will be exposed to catch wind.

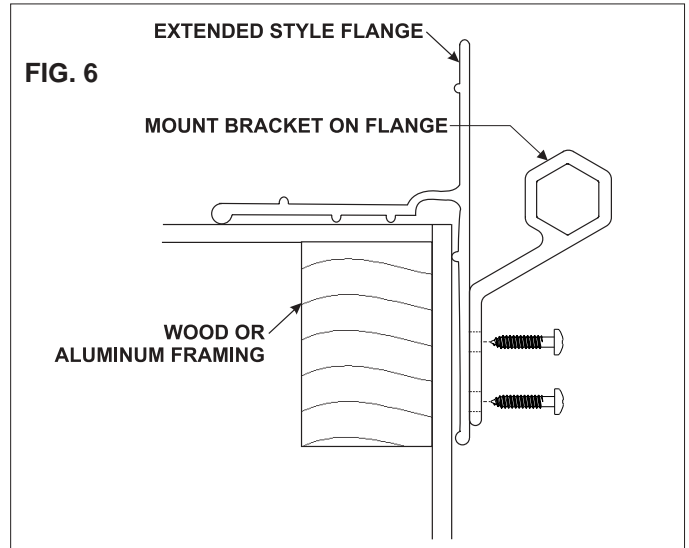
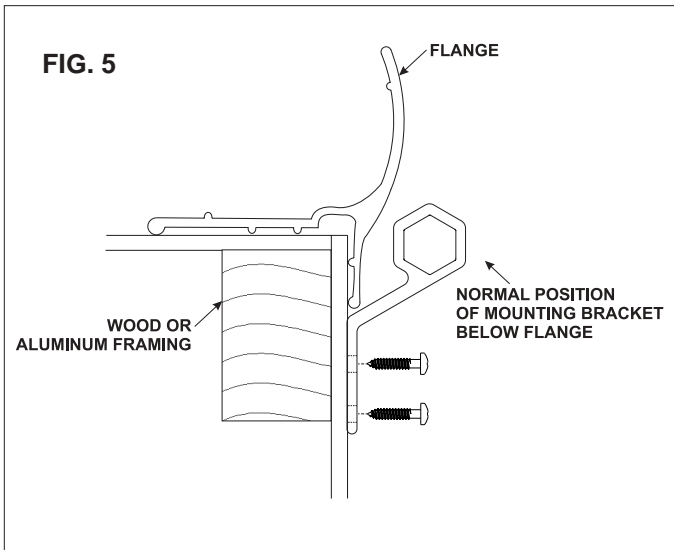
Note: The 3106992.(X)21(X) mounting bracket kit is used when mounting the slide topper on a slide out room that is not flush to the side of the coach. This kit is used when the slide out projects 1/4" to 1.0". See FIG. 2.





When installing the A&E model Slide-Topper on vehicles with extra large slide-out room flanges, it may be necessary to install the mounting bracket directly on the flange. See FIG. 5 & 6.

The bracket must only be mounted on the flange where there is sufficient backing material or framing behind the flange.



OPTIONAL 3107940.003 SPACER KIT

Used when Slide-out flange has a large curve or is recessed behind the main wall of vehicle.

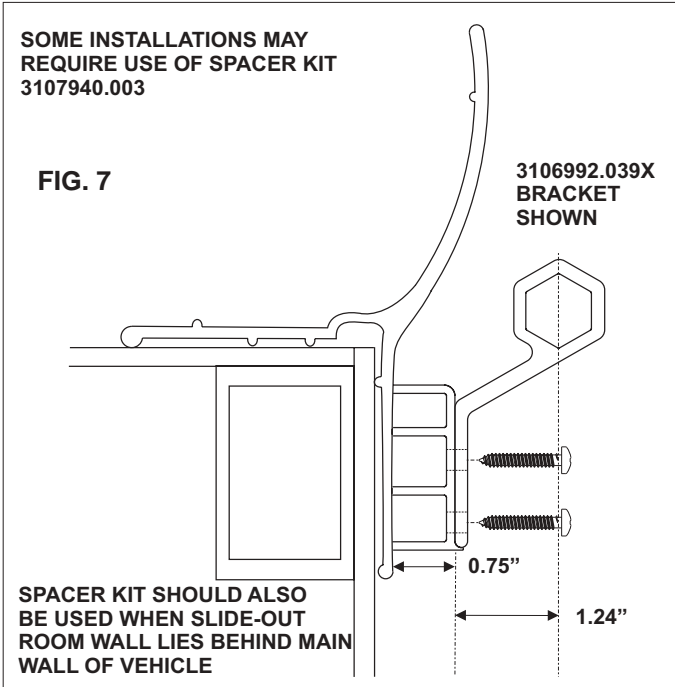
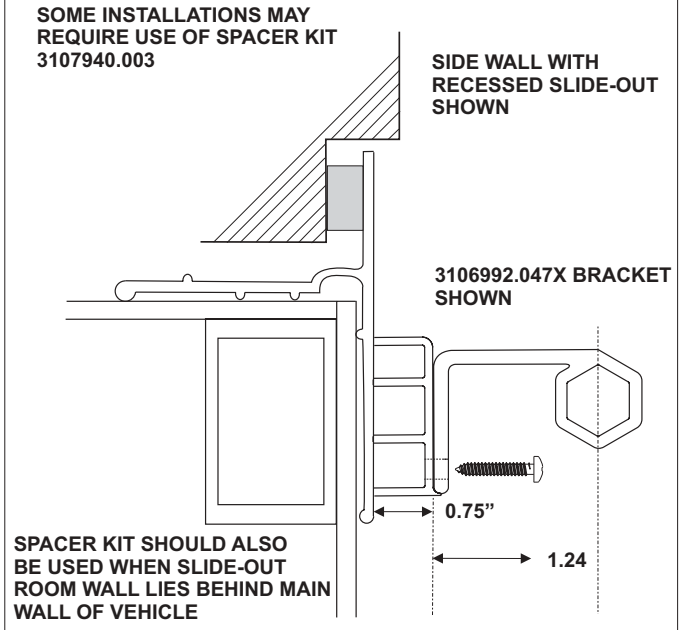


FIG. 8



INSTALLATION INSTRUCTIONS

PREPARATION: Unpack the awning and check the contents against the following parts list:

- (2) 308171.022 Pop Rivet (3/16" x 3/8")
- *730099-(X) Awning Rail - Required
- *3107216.008 Screw, Awning Rail, S 6-20 x 0.50" Sq Dr
- ** (1) 3106992.X21(X) Std Wall Brkt W/Anti-Billow
- ** (1) 3106992.X39(X) Offset Wall 60° Brkt W/Anti-Billow
- ** (1) 3106992.X47(X) Offset Wall 90° Brkt W/Anti-Billow
- ** (1) 3106692.X70(X) Offset Wall 90° Brkt W/Anti-Billow
- (1) 3106992.088(X) Offset Wall 90° W/Steel Hex Bars & Anti-Billow
- (1) 3106992.096(X) Offset Wall 45° W/Steel Hex Bars & Anti-Billow
- *(2) 3309962.003(X) Bracket Spacer

NOTE: Replace (X) with color letter code
 B = Polar White H = Mende
 S = Satin R = Champagne
 U = Black V = Gold

* Not included with all models
 ** Not included but one of the 3 options required.

⚠ WARNING

Severe injuries can result from a spinning bracket. Do Not remove cotter pins until instructed to do so by these instructions.

INSTALL AWNING RAIL

- See figure 2, 3, 4 and 9 to determine the correct location for the awning rail.

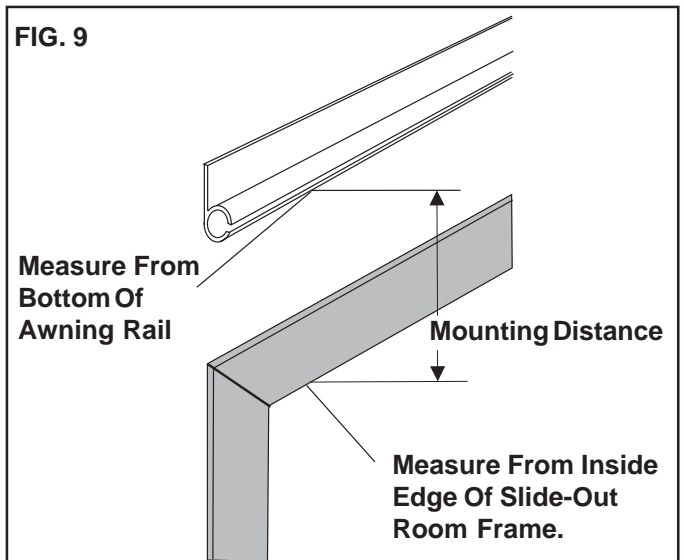
Apply a sealant to the back edge of the awning rail to prevent leaks, and install the awning rail using the (3107216.008) #6 x 1/2" screws or equivalent. The rail must be **FIRMLY** mounted to the vehicle.

Remove any drip shields or flashing which conflict with the awning. The awning can be assembled and held in location to check for conflicts with flashing.

ASSEMBLE EXTENSION

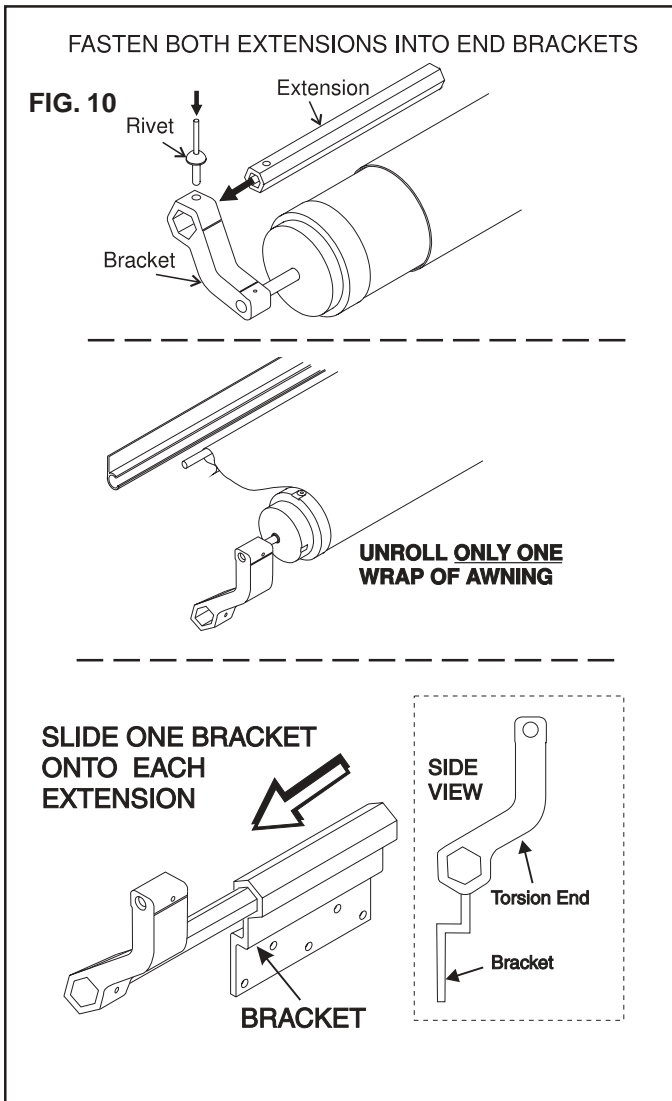
- Rivet both extensions into the end brackets using the two (308171.022) 3/16 x 3/8" pop rivets. Unwind **ONLY ONE** wrap of the awning to allow easy insertion into the awning rail. Slide wall brackets onto each hex extension. See FIG. 10.

FIG. 9



MOUNTING DISTANCE

| | |
|------------------------|---------|
| MNTG BRKT 3106992.X21X | 6" - 7" |
| MNTG BRKT 3106992.X39X | 6" - 7" |
| MNTG BRKT 3106992.X47X | 4" - 5" |
| MNTG BRKT 3106992.X70X | 6" - 7" |
| MNTG BRKT 3106992.X88X | 4" - 5" |
| MNTG BRKT 3106992.X96X | 6" - 7" |

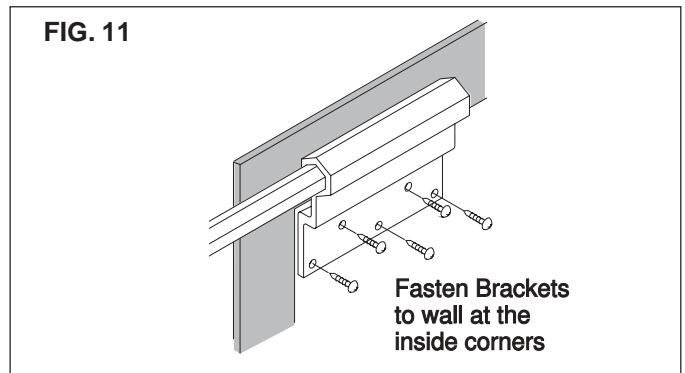


MOUNT BRACKETS

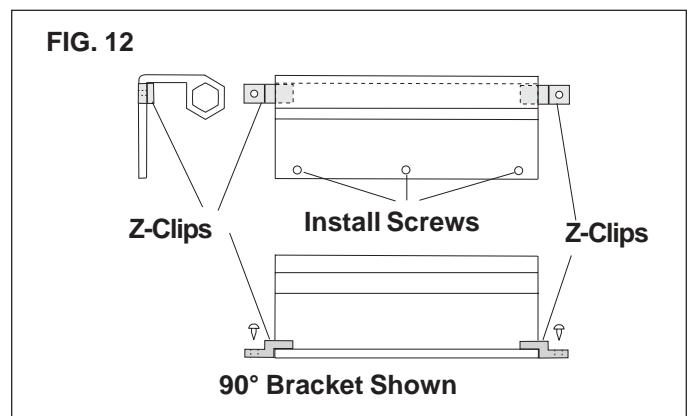
3. Brackets must be mounted to vehicle framing. With the room completely closed, lift the awning up to the top of the slide out room. Insert the awning into the awning rail and slide the awning into position. While one person holds the awning in place, position the wall brackets at the inside corners of the slide out room frame and use the #10 X 1.0" screws (supplied) to fasten them to the wall. See FIG. 11.

⚠ WARNING

Personal injury and property damage hazard. 86111 Series Slide Topper requires the use of customer supplied #10 x 1-1/2" screws to fasten the brackets and supplied 1/2" spacer to the wall. Do not use #10 x 1" screws or personal injury, damage to the Slide Topper, or vehicle may occur.

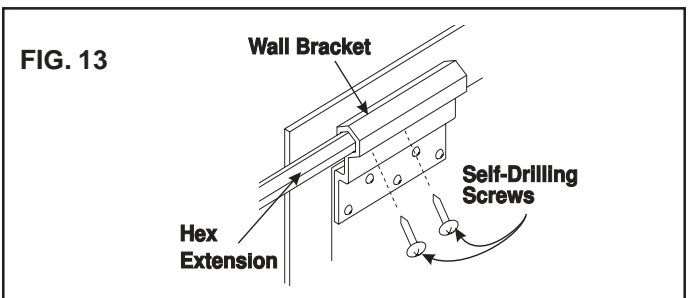


Note: The Z-Clip brackets and oscar rivets (not supplied) should be used when brackets are installed on laminated walls and are required when using the 90° wall brackets. See FIG. 12.



ALIGN FABRIC

4. Center the awning tube on the slide out room and then lock it into position by driving two of the #10 x 0.75" self-drilling screws (supplied) into the hex extension through the holes in the middle and outside edge of each wall bracket. (On some brackets, it is necessary to drill the hole in the middle of the bracket.) (On .088X & .096X kits, the holes must be predrilled using a #26 drill bit prior to screw installation.) See figure 13.



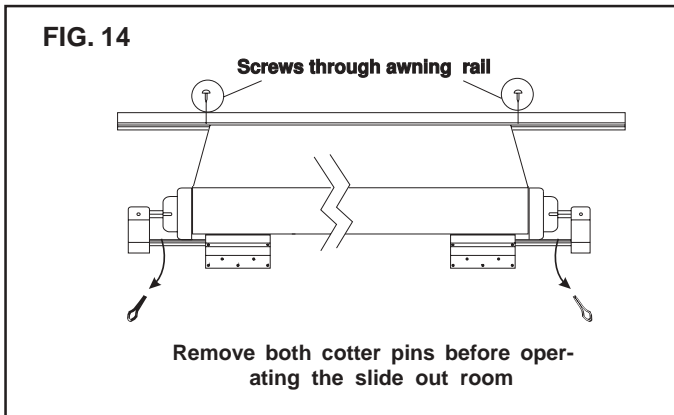
CAUTION

Cotter pins must be removed before operating the slide-out room. Damages to the slide topper and slide-out will occur, if cotter pin is not removed before extending slide-out.

REMOVE COTTER PINS

5. Straighten and then remove the cotter pins from both sides of the awning. Check that the awning tube is free to rotate by rotating it slightly by hand. If the tube is free to rotate, open and close the room several times to center the fabric in the roller tube and awning rail. Once the fabric is centered, install a #6 x 0.63" screw through the awning rail and fabric on both ends of the canopy so it cannot shift from side to side. See figure 14.

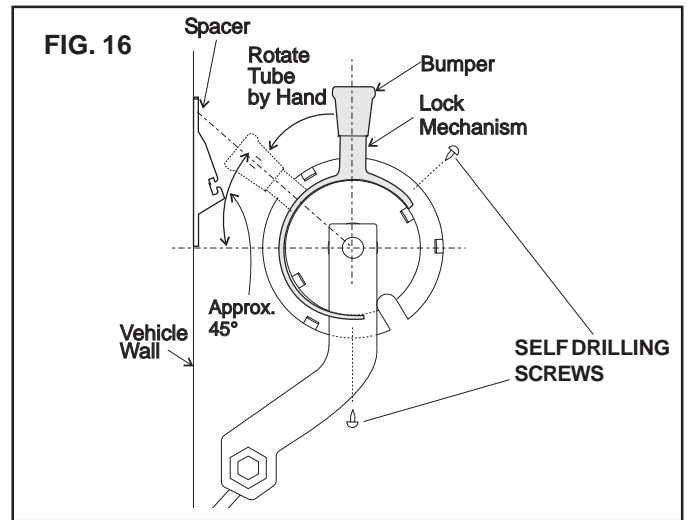
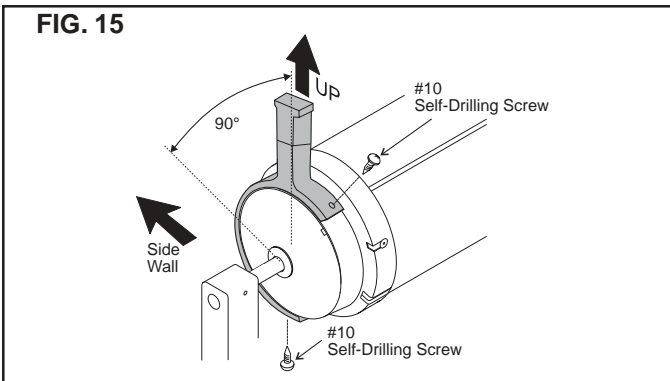
Note: Models with slat assembly roller cover, place the #6 x 0.63" screw (supplied) through the awning rail 1/4" beyond each end of the slat assembly.



INSTALL LOCK MECHANISM

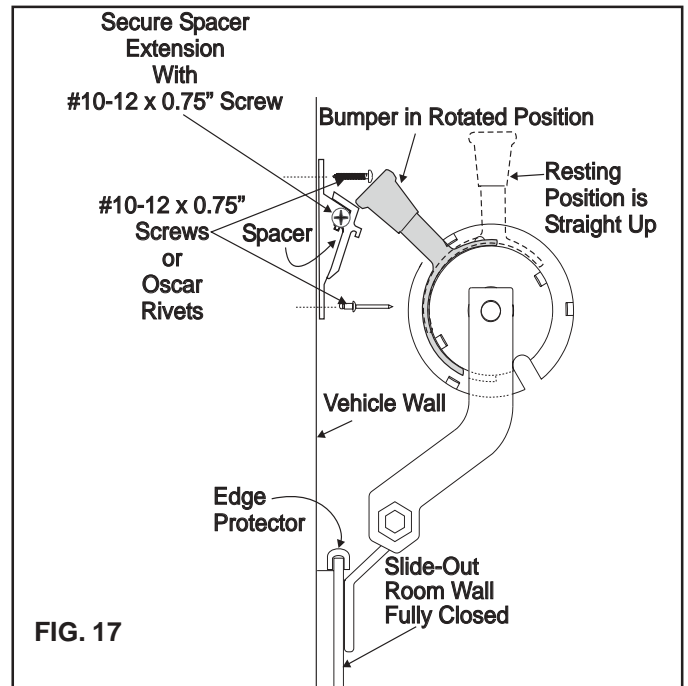
6. Position locking mechanism on end cap on leading end of Slide Topper (end which is toward front of vehicle).

7. Position locking mechanism with bumper pointed straight up. If either screw should happen to fall into an existing opening in the end cap, rotate the bumper slightly away from the wall before attaching. See figures 15 and 16.



8. Attach locking mechanism to end cap using #10 self-drilling screws (supplied). Use care when installing screws not to move lock or scratch end cap.

9. Use the universal spacer to stop the bumper from rotating past a 45° angle when the roller tube is rotated by hand toward the wall. See figure 16. The universal spacer will allow spacing from 5/16" to 1-1/2". See FIG. 17 & 18.



OPERATION

The Slide Out Topper will automatically open and close as your slide out room opens and closes.

Because the awning is level, water may puddle on top of the canopy. As the slide out room is closed and the awning rolls up, these puddles will spill over the sides of the awning.

CAUTION

Do Not use your Slide Topper in snowing or freezing-rain conditions. Such use will prevent the awning from closing, damage to the awning and room will occur.

WARNING

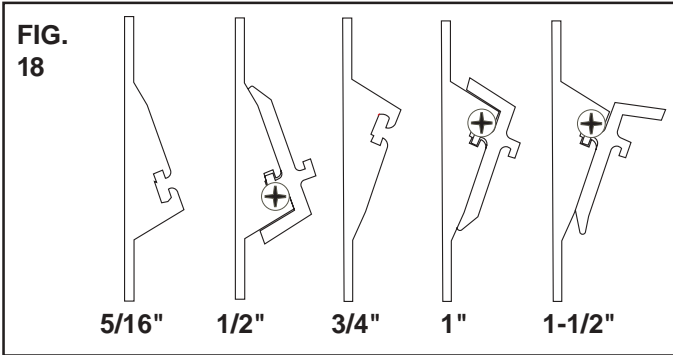
To prevent personal injury and damage. Do Not operate your slide out room without first checking that there are no people or objects in the path of the room or the Slide Topper.

HELPFUL HINTS FOR AWNING CARE

- If the awning is wet when rolled up, as soon as conditions allow, roll it out and let it dry before rolling it up again. This will help prevent mildew and staining.

• WHEN TO GET MORE HELP:

If malfunctions occur that cannot be corrected by reviewing this Installation & Operation Instructions, contact a Dometic Service Center or a qualified service technician. For Service Center Assistance Call 800-544-4881.



10. Using 3105445.005 #10-12 x 0.75" screws, (supplied) fasten spacer to the wall so that the bumper contacts the spacer as shown in figure 17. If the vehicle has a fiberglass wall, use Oscar rivets (not supplied) instead of 3105445.005 #10-12 x 0.75" screws.

11. Install edge protector (not supplied) on each end of slide-out-room molding. See FIG. 17 & 19. Allow protector to extend beyond edge of molding by 1/4" to 1/2".

Note: Not all installations will be able to use a Dometic edge protector. If a Dometic edge protector is not used, a similar type **MUST** be used. Units which are damaged by the slide-out-room will **NOT** be covered under warranty.

Note: Oscar rivets and edge protectors are available as separate items.

- 113008P10 Oscar Rivet = Package of 10
- 113008P100 Oscar Rivet = Package of 100
- 3308176.001 Edge Protector = Package of 10
- 3308176.019 Edge Protector = Package of 100

